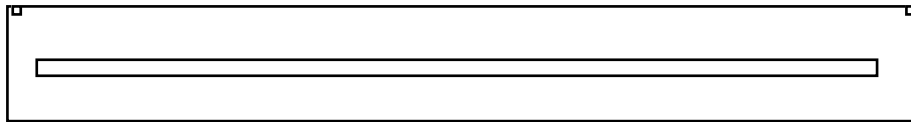


# iPod Dock Connector (3G)

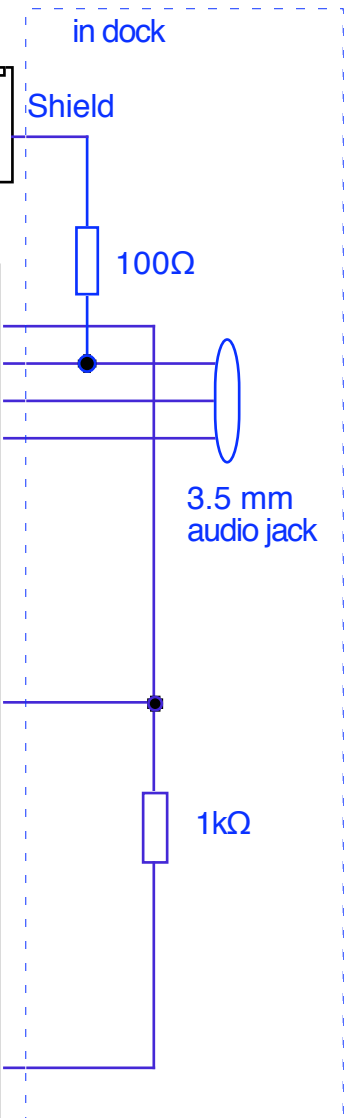
view from bottom on iPod, white side up



1

30

Pin	Signal	USB/FW		
1				
2	Audio GND			
3	Line Out R			
4	Line Out L			
5				
6				
7				
8				
9				
10				
11	Signal GND			
12	TxD		3.3V	
13	RxD		3.3V	
14				
15				
16	GND	USB 4		
17				
18				
19	+12V In	FW 1		
20	+12V In	FW 1		
21	Dock Sensing ?			
22	TPA-	FW 5		
23	+ 5V In	USB 1		
24	TPA+	FW 6		
25	- Data	USB 2		
26	TPB-	FW 3		
27	+ Data	USB 3		
28	TPB+	FW 4		
29	Gnd	USB 4 / FW 2		
30	Gnd	USB 4 / FW 2		



The information given here is without any warranty! Be warned! If your iPod dies it's your fault! Be careful, think first...  
If you find errors or if you can supply more infos, please contact me!

Bernd Löhner (bernd\_loehr@web.de)